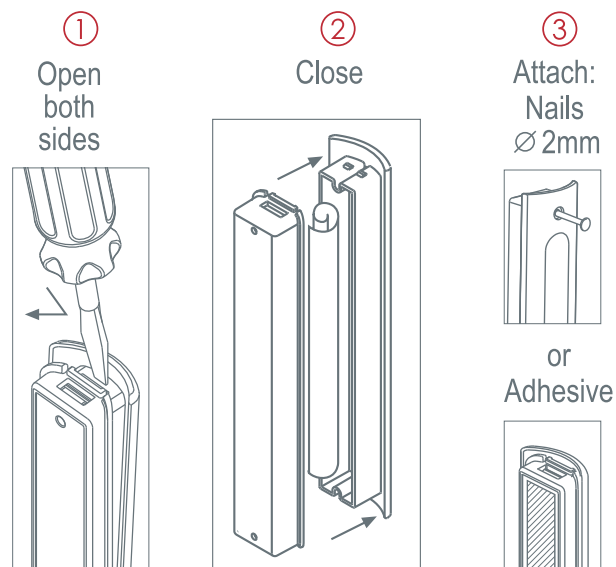


User Instructions:

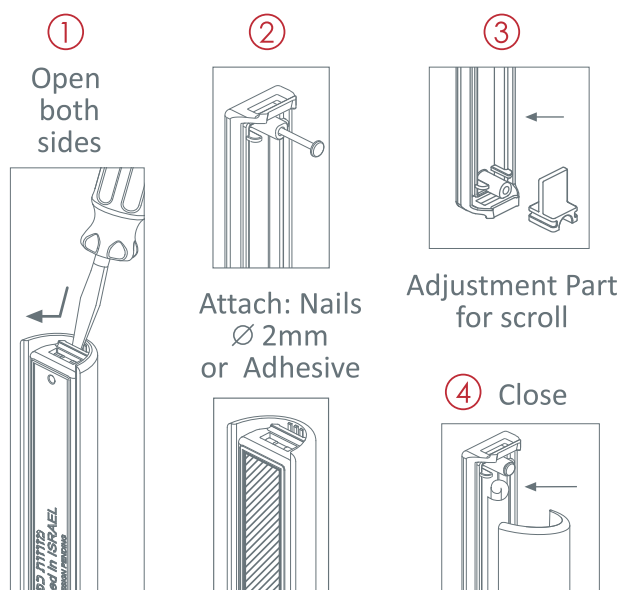
Colorful Large Models

1. Insert the screwdriver in the slots, on both sides - as shown in picture no'1 (the top part will come out).
2. Insert the scroll and close back the top part in both sides (You will hear a clicking sound) pic no' 2.
3. Next, Attach to door post with Nails or with Double side Adhesive (pic no'3).



Classic Large Models

1. Insert the screwdriver in the slots, on both sides - as shown in picture no'1 (the top part will come out).
2. Next, Attach to door post with Nails or with Double side Adhesive (pic no'2).
3. Leave or remove the "10cm scroll adjustment part", as necessary, according to your scroll size (pic no'3).
4. Insert the scroll and close back the top part in both sides (you will hear a clicking sound) pic no'4.



Colorful Small Models

1. Insert the screwdriver in the slots, on both sides - as shown in picture no'1 (the top part will come out).
2. Next, Attach to door post with Nails or with Double side Adhesive (pic no'2).
3. Insert the scroll and close back the top part in both sides (you will hear a clicking sound) pic no'3.

